



WEATHERBEATER® FLOOR LINERS

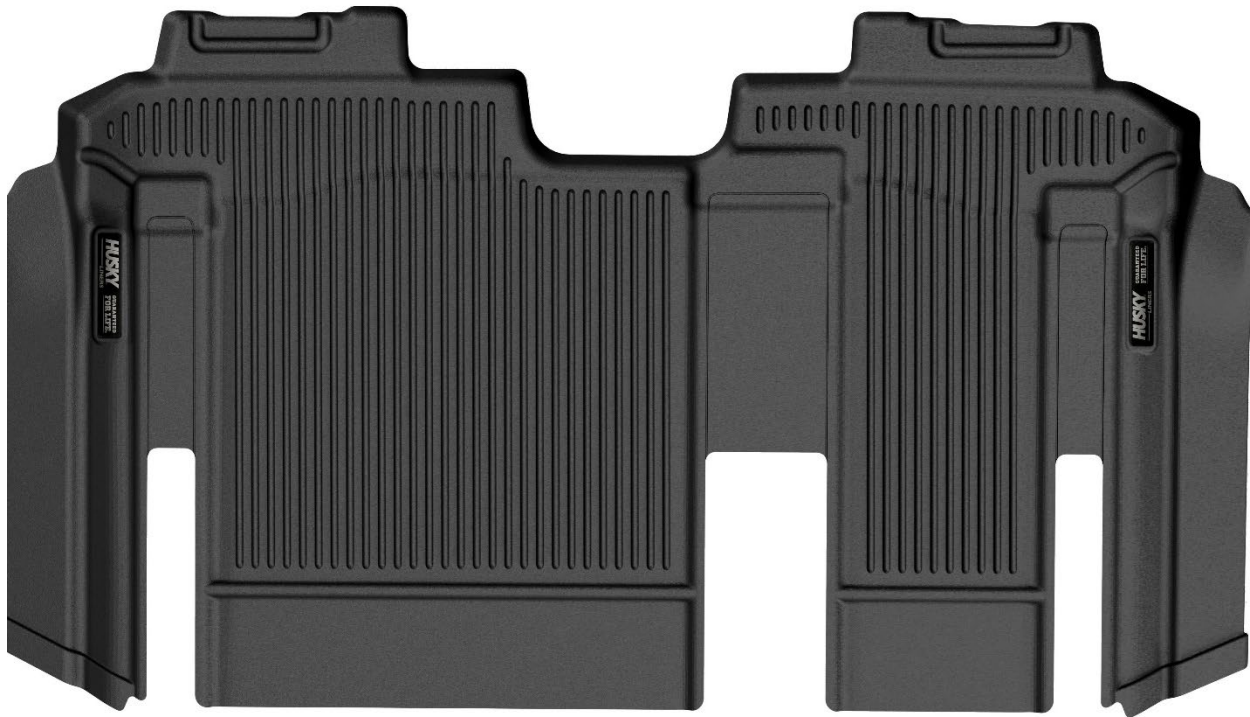
PT #1980

CARE AND USE INSTRUCTIONS

Thank you for selecting an WeatherBeater™ Floor Liners from Husky Liners Inc. Your new liners are custom molded to fit your specific vehicle's floor board. The liners are made to take the place of your factory floor mats. ***For correct fit, it is necessary to remove the factory floor mats before installing your new floor liners. However, do not remove the factory-installed carpeting.***

Your liners are made from an engineering resin that is lightweight and extremely tough and durable. The easiest way to clean your liner is with a damp cloth or sponge and soap and water. Windex®, 409® and ArmorAll® type cleaners work as well.

INSTALLATION INSTRUCTIONS FOR YOUR FLOOR LINERS



DEPENDING ON YOUR PREFERENCES, THE LINER MAY NEED TO BE TRIMMED TO GIVE FULL RANGE OF SEAT POSITIONING IN YOUR VEHICLE. INSTALL LINER AND OBSERVE THE PORTION OF THE LINER THAT MATCHES THE SEAT TRACK. ONCE INSTALLED POSITION YOUR SEAT.

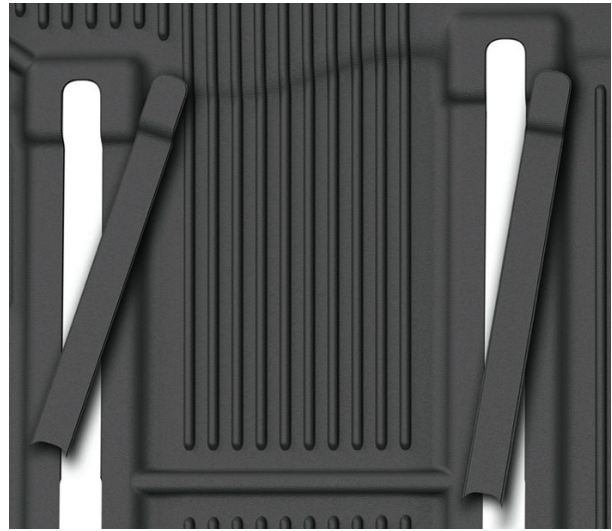
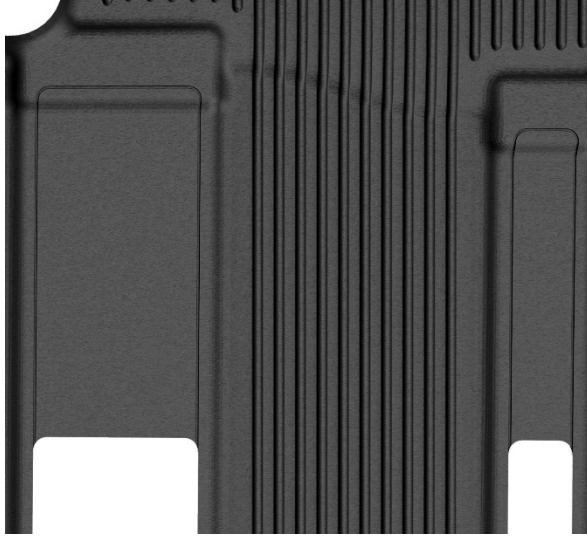
IF TRIMMING IS NEEDED, LOCATE THE MOLDED IN TRIM GROVE ALONG THE SEAT TRACK. USE THE GROVE AS A TRIMMING GUIDE AND REMOVE THE UNNEEDED MATERIAL. A UTILITY KNIFE OR HEAVY SHEARS WORK WELL FOR TRIMMING. PLEASE REVIEW THE TRIMMING PHOTOS ON THE BACK OF THIS PAGE.



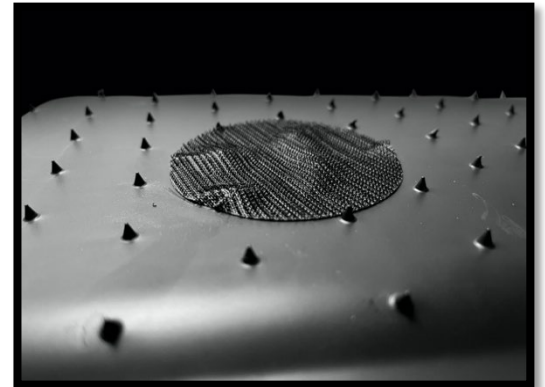
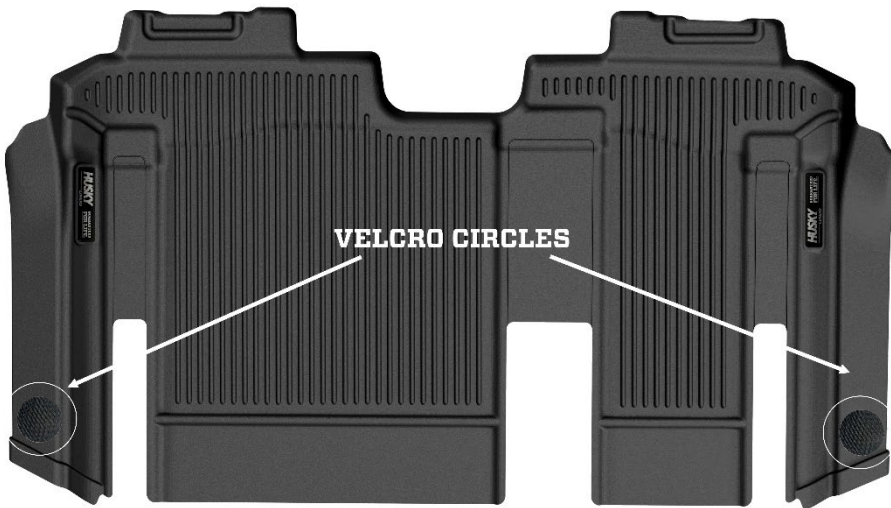
WEATHERBEATER® FLOOR LINERS

PT #1980

LOCATE THE TRIM GROOVE AND REMOVE DESIRED MATERIAL.



OPTIONAL: VELCRO



TO HELP SECURE THE SILL PLATE COVERAGE OF THE LINER FROM POSSIBLE MOVEMENT FROM HEAVY TRAFFIC, YOUR LINER COMES WITH 2 (OPTIONAL) VELCRO CIRCLES. TO INSTALL, PLACE THE TWO VELCRO HOOK PADS IN THE POSITION INDICATED IN THE IMAGE DIRECTLY ABOVE. THE HOOK PAD WILL INSTALL ON THE LINER DIRECTLY OVER THE STAYPUT CLEATS™ AS SHOWN. PEEL OFF THE PROTECTIVE COVER AND APPLY TO THE LINER, PRESSING DOWNWARD TO FULLY SEAT THE PAD IN PLACE. THE VELCRO LOOP PADS WILL BE INSTALLED ON THE PLASTIC SILL PLATE OF YOUR SIENNA. TO PLACE THE LOOPS PADS IN THE CORRECT LOCATION, FIRST SECURE THE LOOP PAD TO THE HOOK PAD ALREADY INSTALLED ON THE LINER DO NOT REMOVE THE BACKING FROM THE BACK OF THE LOOP PAD YET. NEXT, INSTALL THE LINER IN THE VEHICLE. FINALLY, REMOVE THE COVER FROM THE ADHESIVE ON THE LOOP PAD AND PRESS DOWN TO SECURE IT IN PLACE ON THE SILL PLATE.